



HRL-0040-1 HEATLESS DESICCANT AIR DRYER GENERAL ARRANGEMENT

TOLERANCES UNLESS
OTHERWISE SPECIFIED:

- FRACTIONS = ± 1/4 "
- ANGLES = ± 3°
- INCHES = ± 1/2 "
- FINISH = 250

THE SPECIFICATIONS AND DRAWINGS DISCLOSED HEREIN ARE THE SOLE PROPERTY OF ALTEC AIR, AND SHALL NOT BE COPIED OR USED AS THE BASIS FOR SALE OR MANUFACTURE WITHOUT EXPRESS WRITTEN PERMISSION.

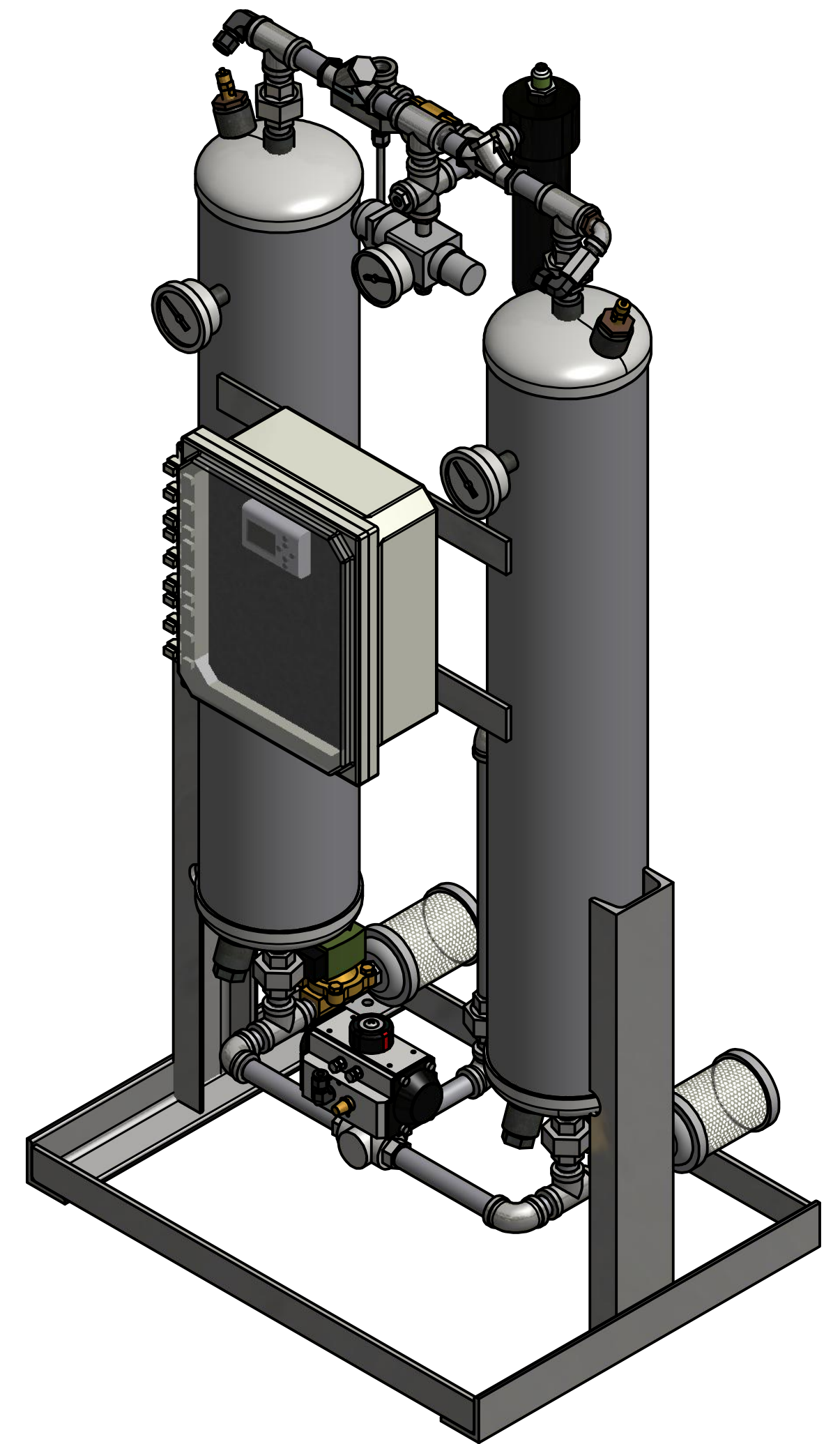
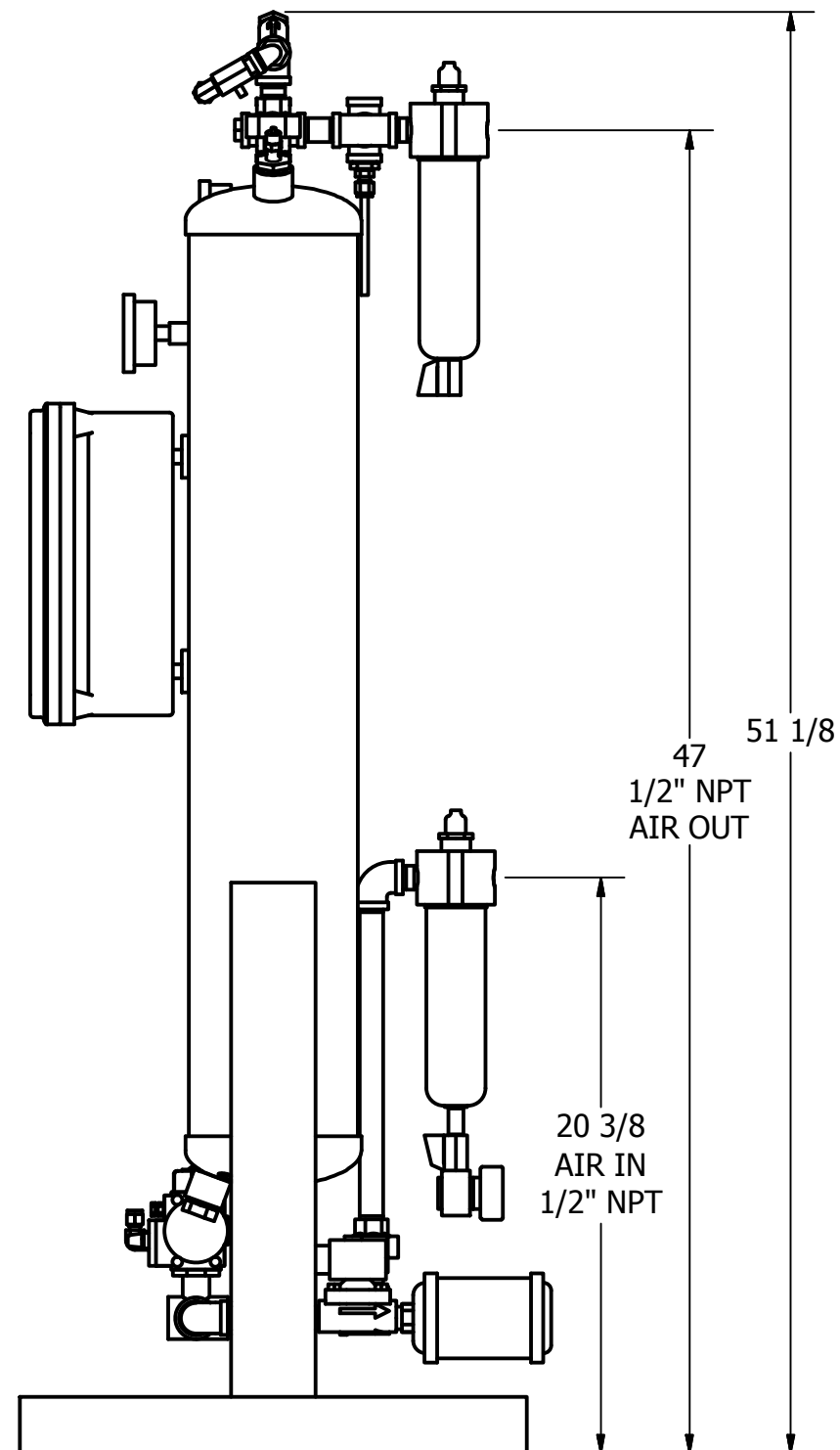
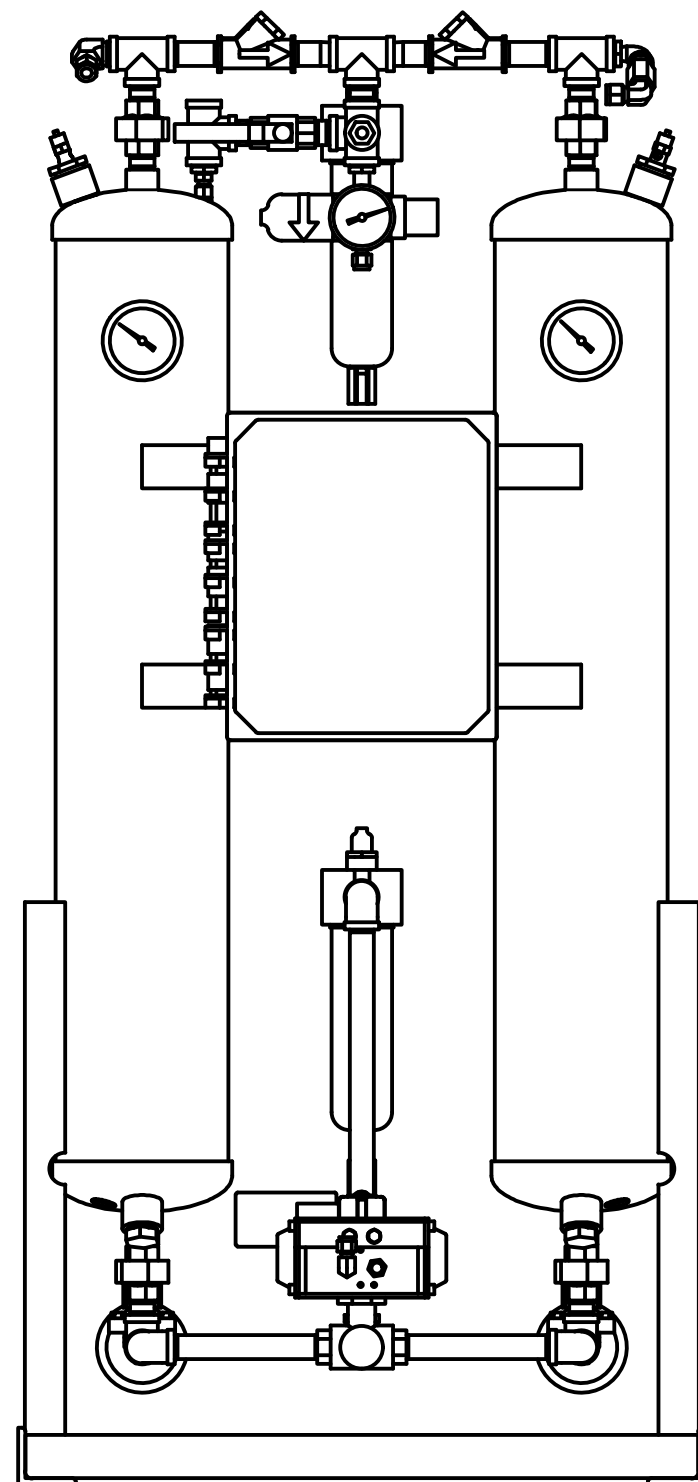
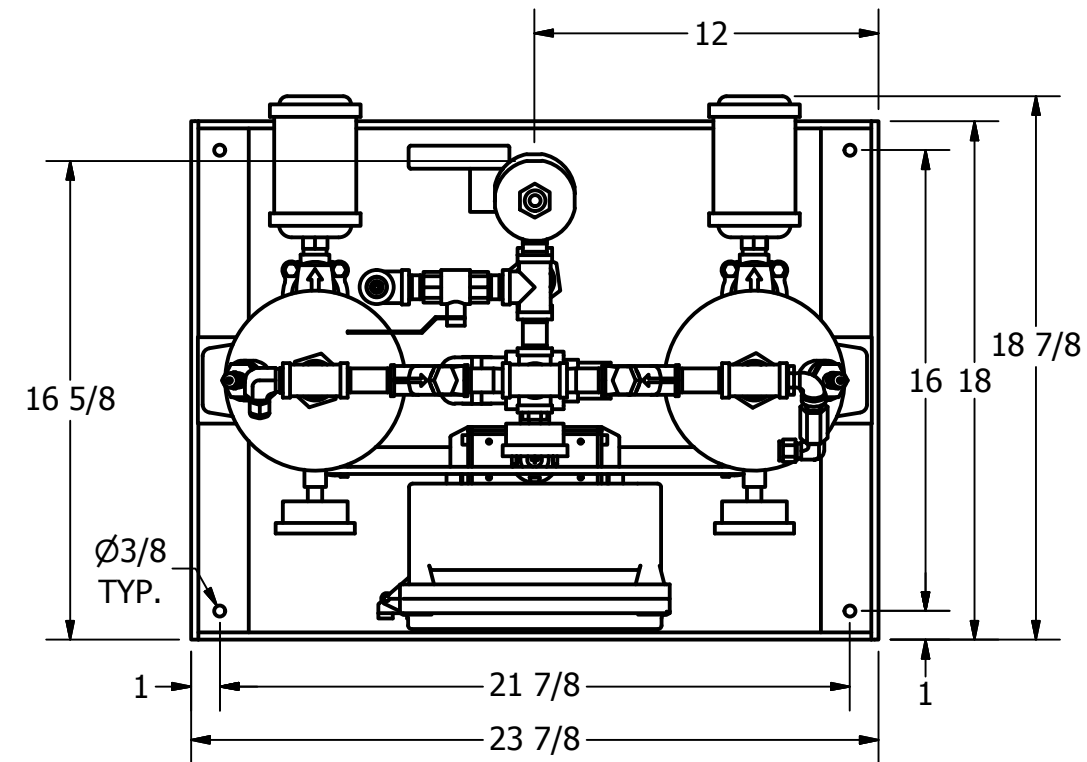
REVISION LOG

REV.	ECO.	DESCRIPTION	DATE	APPROVED
A				

DRAWING NO. **AT20-1310** REV. **A**

DRAWN: WS DATE: 7/2/2020
CHECKED: DATE:

SCALE: N/A SHEET: 1 OF 2



PRELIMINARY



HRL-0040-1 HEATLESS DESICCANT AIR DRYER GENERAL ARRANGEMENT

TOLERANCES UNLESS
OTHERWISE SPECIFIED:

FRACTIONS = ± 1/4 "
 ANGLES = ± 3°
 INCHES = ± 1/2 "
 FINISH = 250

THE SPECIFICATIONS AND DRAWINGS DISCLOSED HEREIN ARE THE SOLE PROPERTY OF ALTEC AIR, AND SHALL NOT BE
 COPIED OR USED AS THE BASIS FOR SALE OR MANUFACTURE WITHOUT EXPRESS WRITTEN PERMISSION.

REVISION LOG

REV.	ECO.	DESCRIPTION	DATE	APPROVED
A				

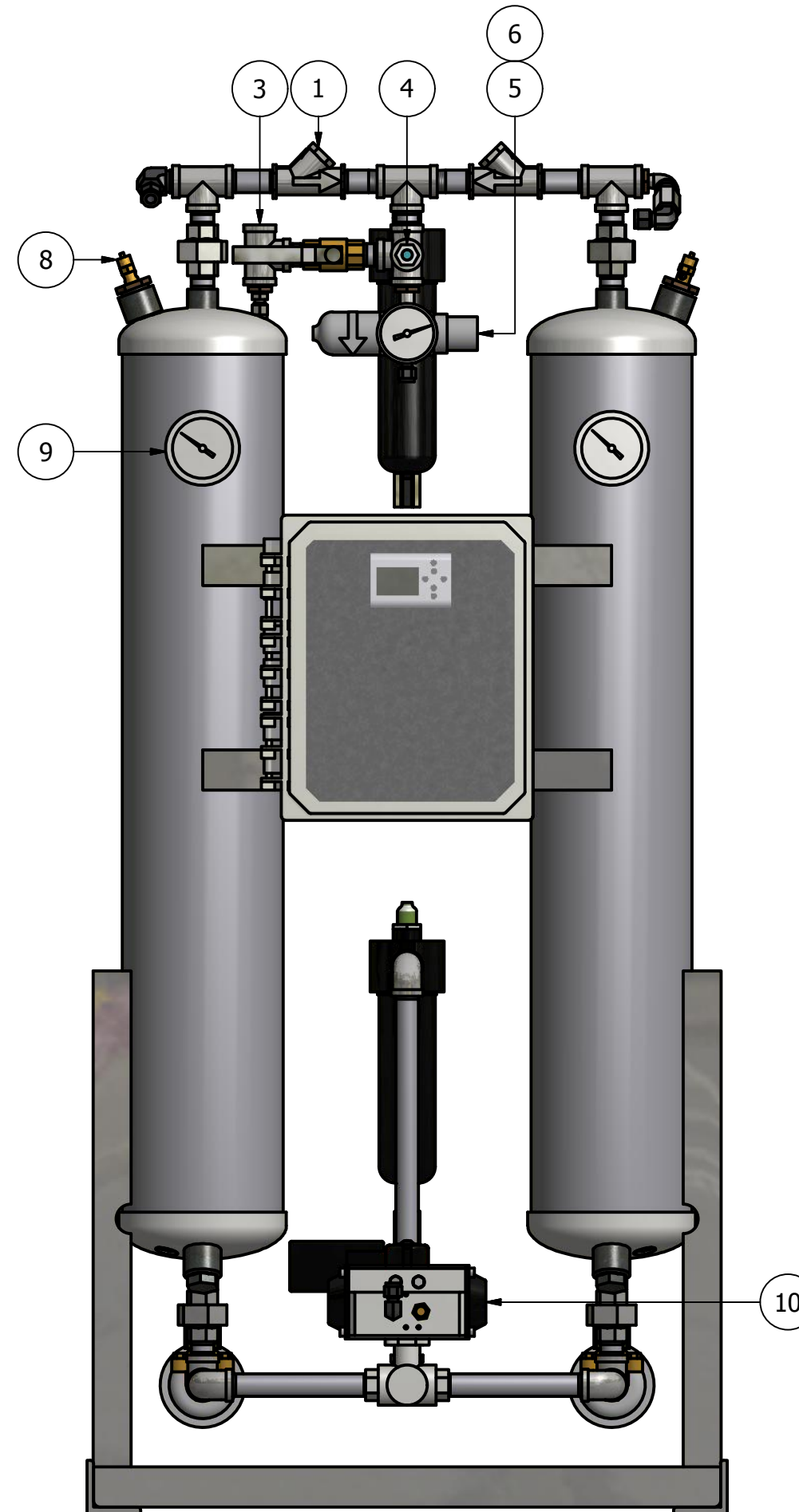
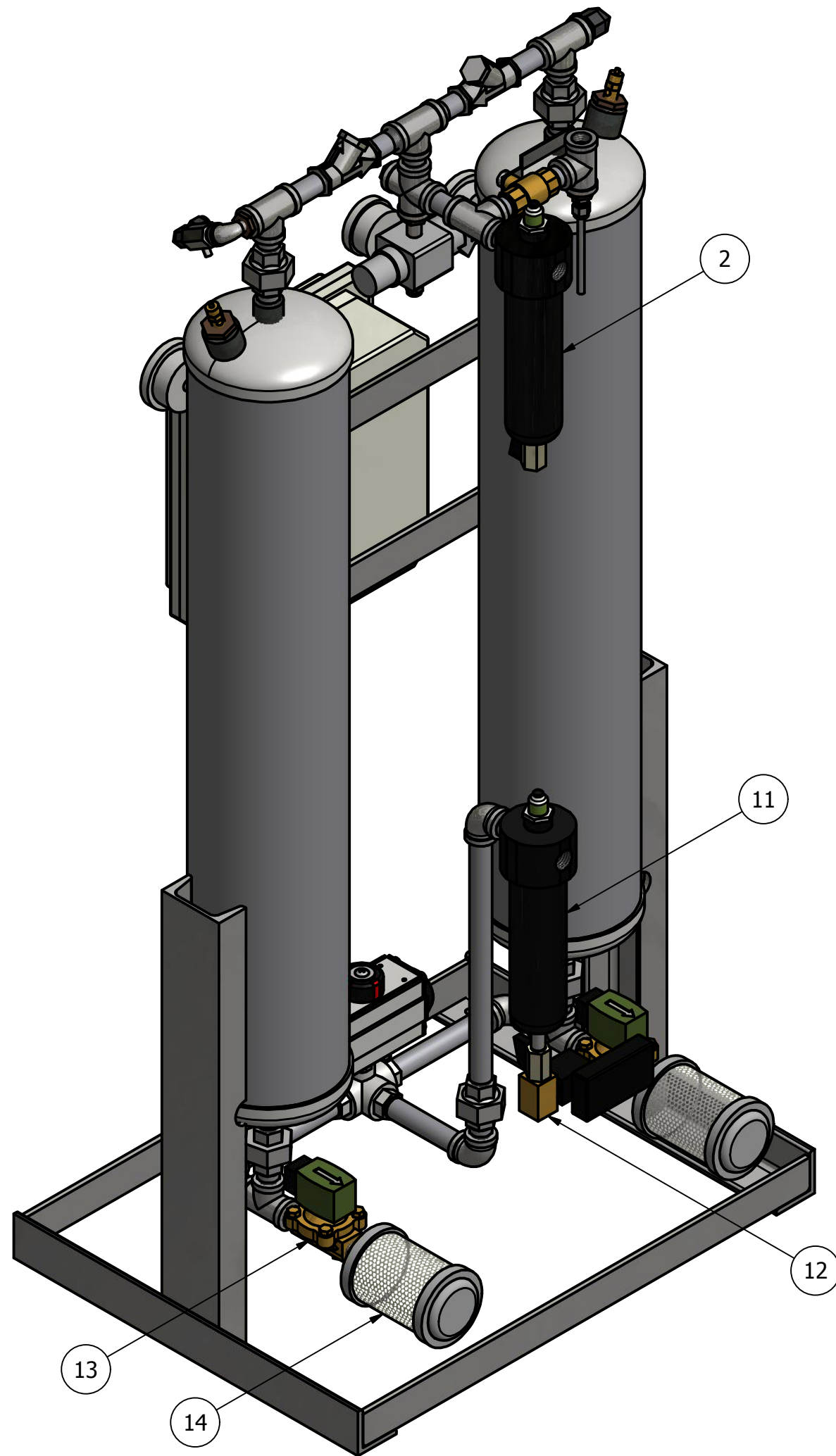
DRAWING NO. **AT20-1310** REV. **A**

DRAWN: WS DATE: 7/2/2020
 CHECKED: DATE:

SCALE: N/A SHEET: 2 OF 2

PARTS LIST

ITEM	QTY	DESCRIPTION
1	2	CHECK VALVE, OUTLET
2	1	PARTICULATE AFTER FILTER
3	1	DEW POINT MONITOR (OPTIONAL)
4	1	MOISTURE INDICATOR
5	1	PRESSURE REGULATOR, CONTROL
6	1	PRESSURE GAUGE, CONTROL
7	1	NEEDLE VALVE, PURGE
8	2	RELIEF VALVE, TANK
9	2	PRESSURE GAUGE, TANK
10	1	3-WAY BALL VALVE, INLET
11	1	COALESCER PRE-FILTER
12	1	TIMED DRAIN
13	2	SOLENOID VALVE, EXHAUST
14	2	MUFFLER, EXHAUST
15	45 LBS	DESICCANT



PRELIMINARY